

8.5 SPLIT KING UPGRADE KIT

Compatible with beds with serial numbers greater than CMAS-796260-00000 only.

Bed control boxes will need to be updated if serial numbers are not compatible.

The Split King upgrade kit allows two ComfiMotion ACTIV Care Long Single beds to be connected together and act as a Split King Bed. In this configuration the user can choose between two modes of operation:

- Full synchronization (all actuators including hi-lo, headrest, backrest and leg rest move together from one handset). This mode allows either one-piece king-size mattress or two single size mattress to be used and span both beds. Both users share the same bed positioning.

OR

- Partial synchronization (only hi-lo are synchronized from one handset while headrest, backrest and legrest remain independent). This mode allows each user to set their own desired bed positioning independent of their partner.



The Split King bed is intended for use by two individuals each with a maximum patient weight of 200kg.



The Split King bed is **NOT** intended for use by a single individual weighing more than 200kg even if no one else will be using the bed with them.



The Split King bed is **NOT** intended to be used as a bariatric bed.

ACCESSORIES

Split King Upgrade Kit BEA830230

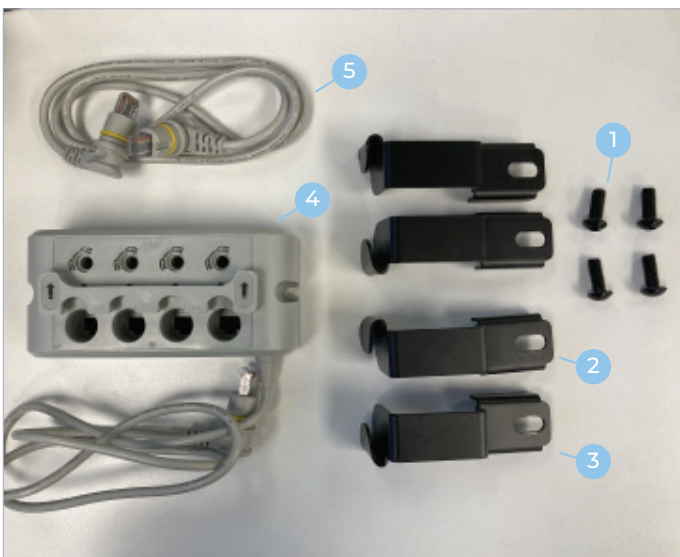


For further installation and operating instructions, refer to the **User Manual**.

TOOLS REQUIRED:

- Allen Key (5mm)

KIT CONTENTS



Item	Qty	Description
1	4	M8 x 20 Bolt
2	2	Connecting Bracket – Head
3	2	Connecting Bracket – Foot
4	1	Junction Box
5	1	Electrical Cord
6	2	M5 x 18 Bolt (not pictured)
7	4	Zip Ties (not pictured)

HOW TO INSTALL

Before installation, ensure both bed serial numbers are greater than CMAS-796260-00000. Otherwise, new control boxes need to be added to beds before installing the Split King Upgrade Kit.

- 1 Remove all mattresses, bedding and/or packaging from both beds.
- 2 Test both beds function and are free to move through all range of movements.
- 3 Raise bed height, backrest and legrest to maximum height for ease of access. Do this for both beds.

To adjust:



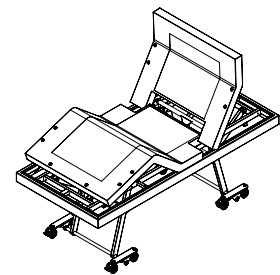
HI-LO
Raise to Max



BACKREST
Raise to Max

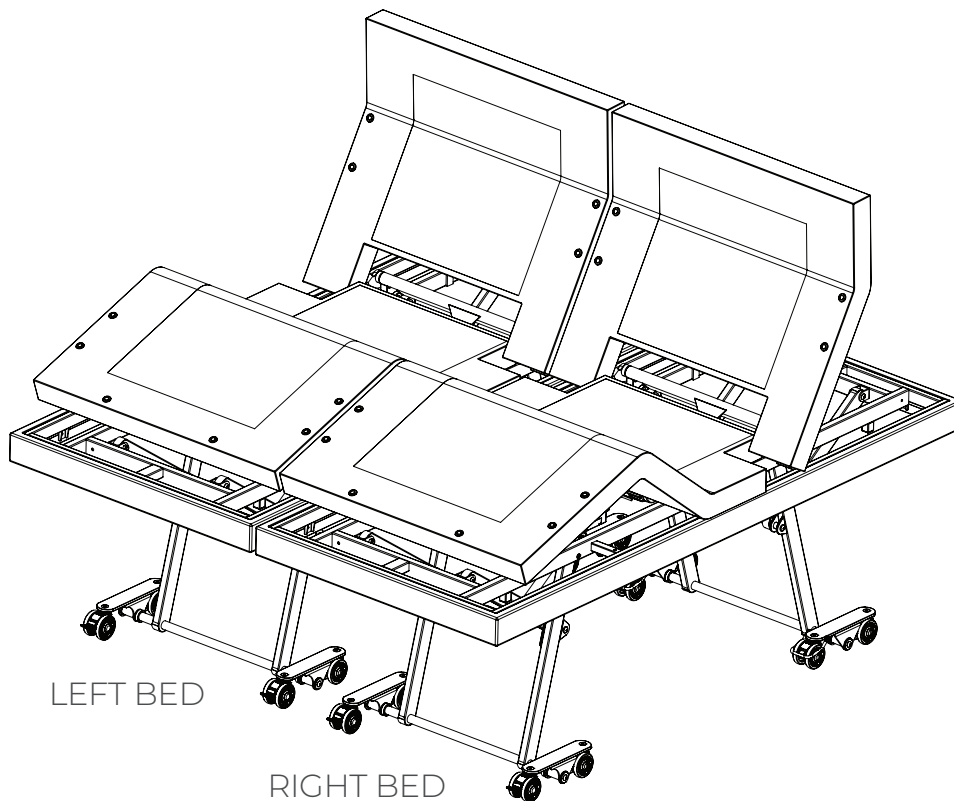


LEGREST
Raise to Max



Bed once adjusted

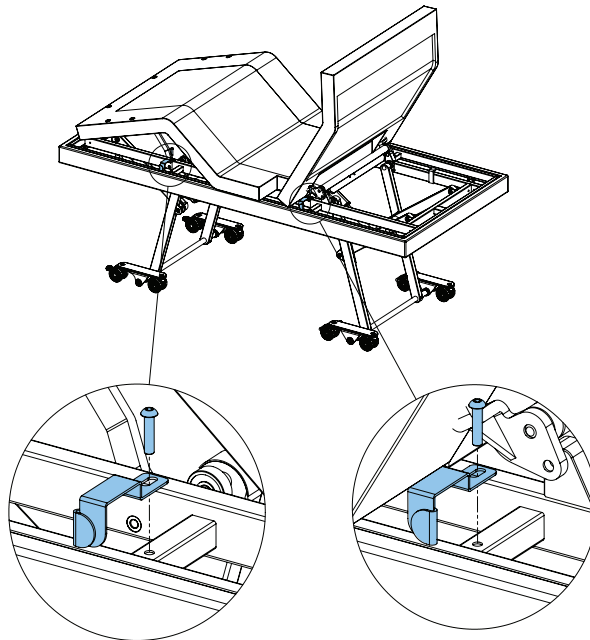
- 4 Choose which of the two beds will be positioned on the RIGHT and which on the LEFT.



5

Assemble connecting brackets to each of the two beds, ensuring the brackets are mounted to the left side of the RIGHT bed and the right side of the LEFT bed.

NOTE: Ensure the hooks of each bracket are facing as shown for each bed.

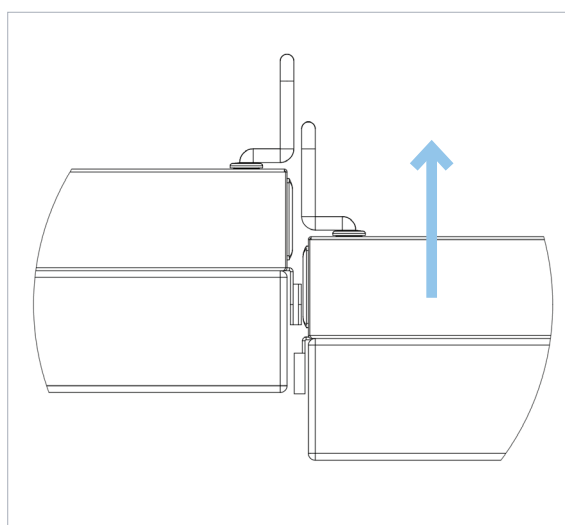


FOOT END BRACKET

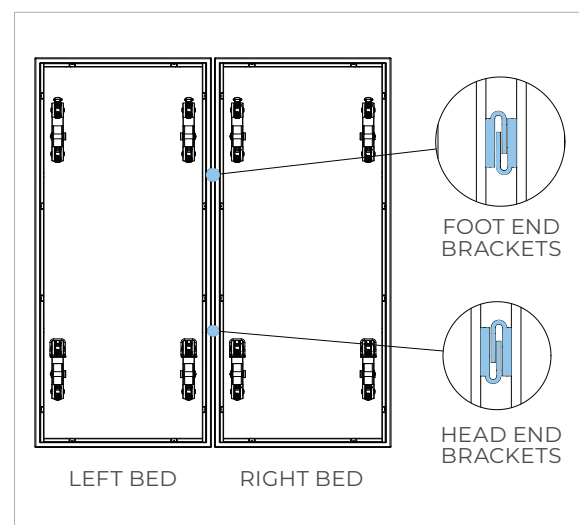
HEAD END BRACKET

6

To interlink the two beds together, first slightly lower the RIGHT bed and then position beds side by side. Ensure head ends of the bed are in-line. Once in position, slowly raise the RIGHT bed to match the LEFT bed height, ensuring the hooks from each bed slide into each other and interlink. Ensure both head and foot ends are interlinked.

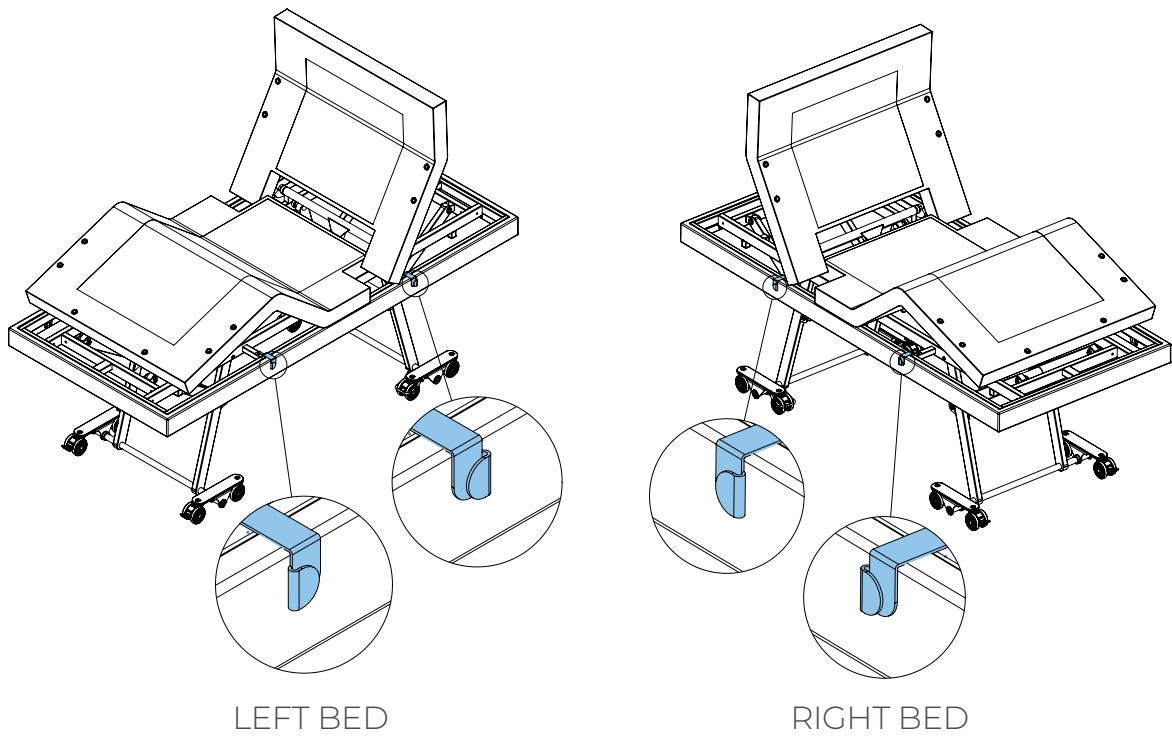


Foot End of Beds

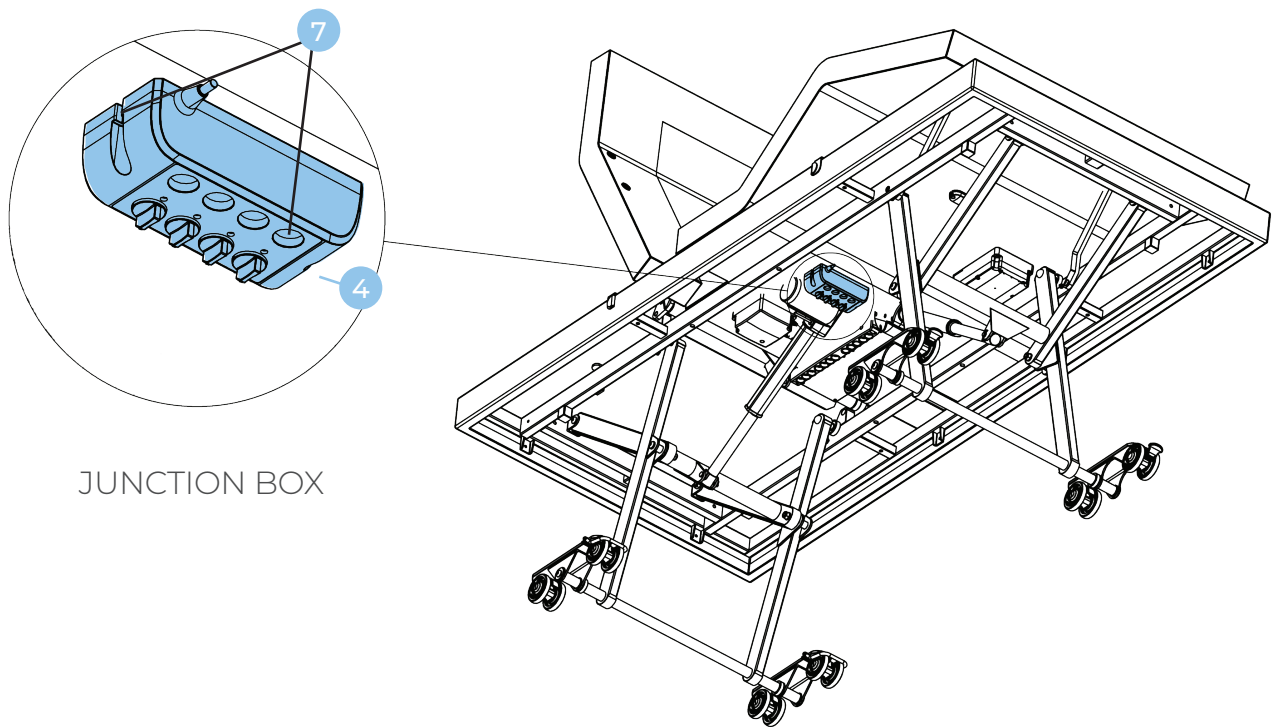


7

Gently push on beds to ensure they are interlinked and move side-to-side together.

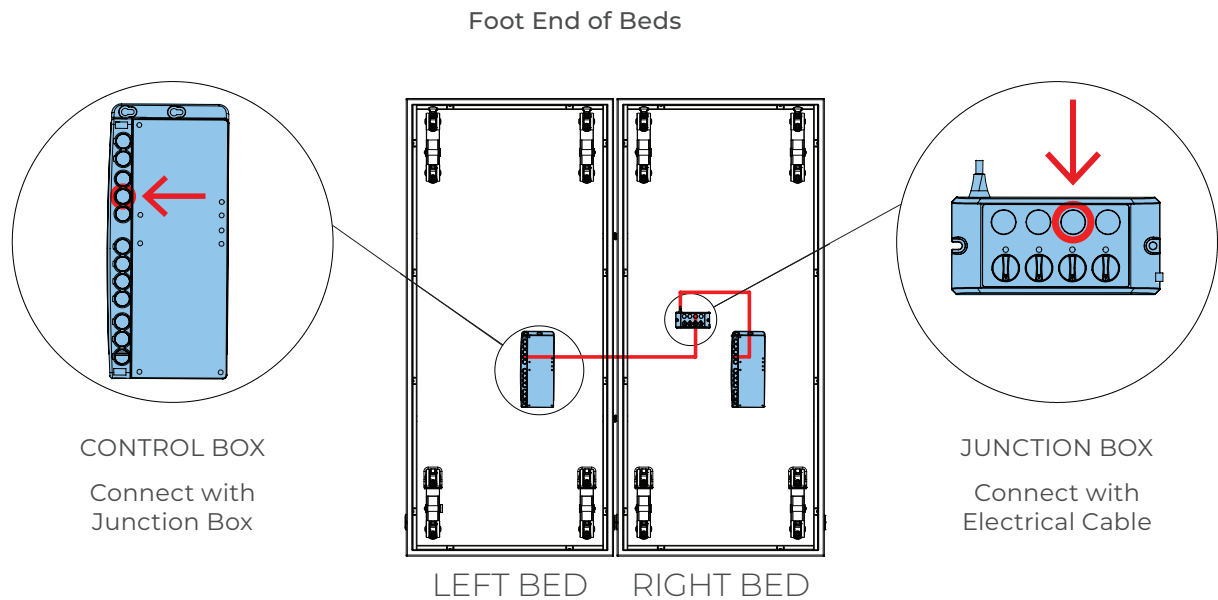


8 Attach the Junction Box 4 to the RIGHT bed in position shown using the M5 bolts 7.





9 Connect the cord from the Junction Box 5 to port 4 of the control box of the RIGHT bed. Use zip ties to secure cable to bed frame if needed.

- 10 Connect the Electrical Cable 4 to port 4 of the control box of the LEFT bed.



- 11 Connect the Control Box from LEFT bed to the Junction Box on RIGHT bed.
WAIT 30 seconds without pressing any buttons on hand control.
- 12 Test beds are connected by pressing hi-lo button from one handset. Both beds should move together.
- 13 Secure Electrical Cable 6 to LEFT bed using zip-ties if needed.
- 14 To complete set up, run a Factory Reset (See Section 6 – Handset Operation) from one of the handsets during which time the beds will lower to minimum height and control boxes will synchronise the two systems.

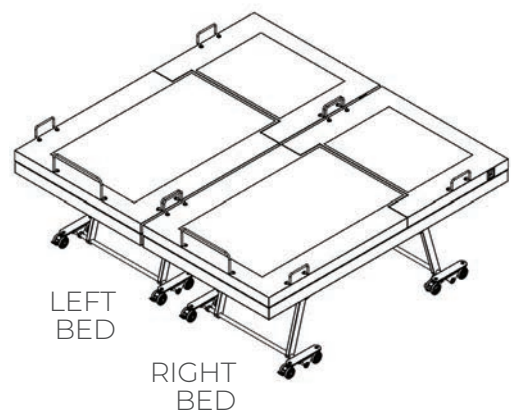
After factory reset the handset backlight will turn off allowing the user to select which split king mode is preferred:

- Full synchronization (all actuators including hi-lo, headrest, backrest and leg rest move together) – press  (Massage button)
- Partial synchronization (only hi-lo are synchronized while headrest, backrest and legrest remain independent) – press  (Underbed light)

If no selection is made within 10 seconds, then the system will default to full synchronization mode.



Do not press handset buttons until the handset backlight turns back on which will take approximately 10 seconds after selection is made.



The beds should now raise and lower simultaneously.